

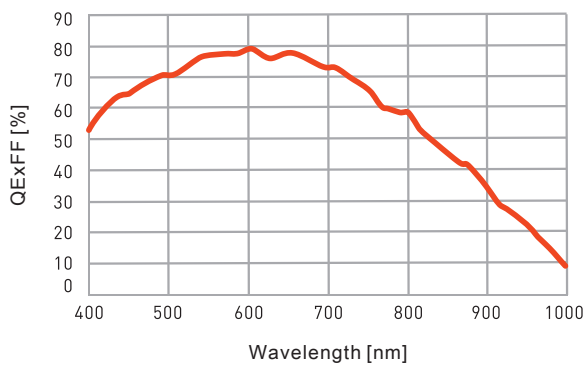
Cooled FSI sCMOS Camera

Dhyana 400D

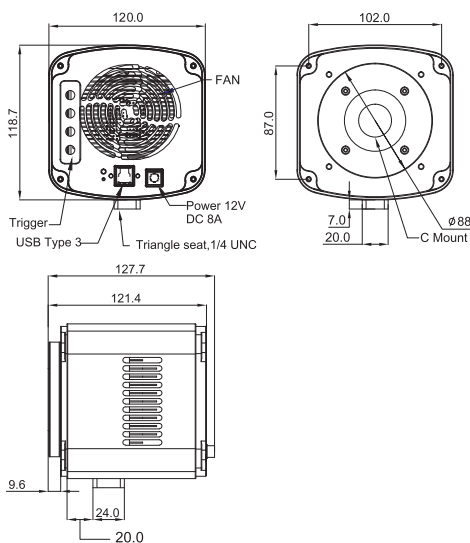


Key Features

- 1.2" area
- 80% peak QE
- 35fps@full resolution
- 6.5 μ m x 6.5 μ m pixel size
- 30ke- full well capacity
- USB3.0 interface



Product structure (unit: mm)



Specifications

Model	Dhyana 400D
Sensor model	FSI sCMOS
Shutter type	Rolling
Color/Mono	Mono
Effective area	13.3mm x 13.3mm
Resolution	2048(H) x 2040(V)
Pixel size	6.5 μ m x 6.5 μ m
QE	80%@600nm
Full-Well capacity	30ke-
Dynamic Range	85dB
Frame rate	35fps
Readout noise	HDR: 2.5e-; HighGain: 2e-
Exposure time	13 μ s-10s
Cooling Method	Forced air
Cooling temperature	Forced air (Ambient at +25°C): -10°C
Dark current	0.6 e-/pixel/s @ 0°C; 0.35 e-/pixel/s @ -10°C
Binning	2x2
ROI	Support
Trigger Mode	Hardware & Software
Output Trigger Signals	Exposure, Global, Readout
Trigger Interface	SMA
Data Interface	USB3.0
Data Bit Depth	16bit
Optiona Interface	C-mount
Power Supply	12V/8A
Power Consumption	60W
Dimensions	120mm x 119mm x 121mm
Weight	1853g
Software	Mosaic / LabVIEW / Matlab / Micromanager
SDK	Support
Operating System	Windows/Linux
Operating Environment	Temperature 0~40°C / Humidity 10~85%

Tucsen Photonics Co., Ltd.

Tel: +86-591-28055080

Email: support@tucsen.com

Add: 5# Wanwushe Smart Industrial Park , No.2 Yangqi Branch Rd,
Gaishan Town, Cangshan Area, Fuzhou, Fujian, PRC, China.

www.tucsen.com