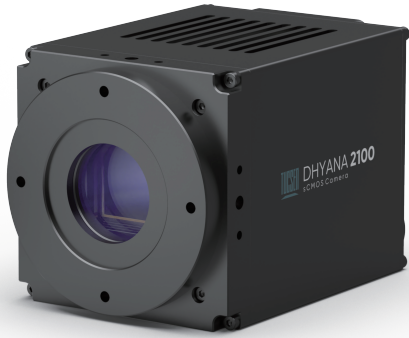


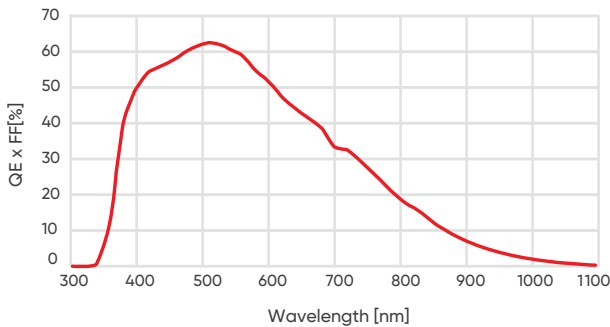
# 21MP High Speed sCMOS Camera

## Dhyana 2100

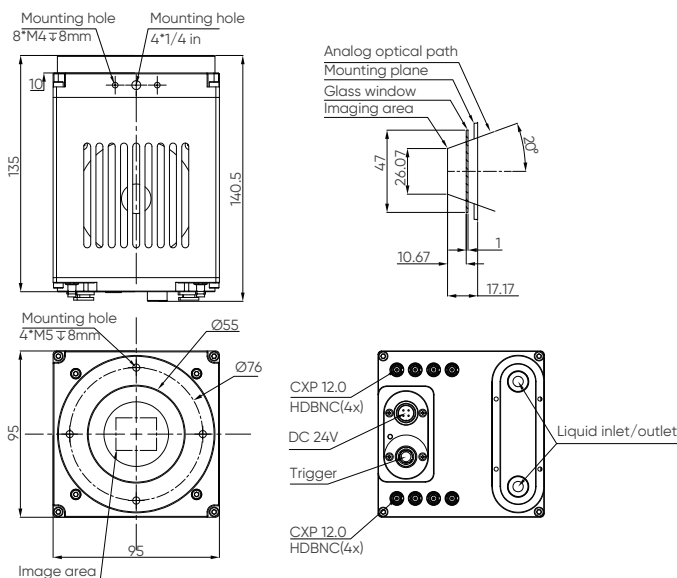


### Product Advantages

- 450fps@21MP
- CXP12 Data Interface
- 29.5mm Diagonal FOV.
- Global Shutter
- Genicam™ Compliant
- Air & Liquid Cooling



### Product Structure



### Specifications

Model	Dhyana 2100
Sensor Type	FSI CMOS
Sensor Model	Gpixel GSPRINT4521
Peak QE	63%@520nm
Color/Mono	Mono
Array Diagonal	29.5mm
Effective Area	23.04mm (H) x 18.43mm (V)
Resolution	5120 (H) x 4096 (V)
Pixel Size	4.5µm x 4.5µm
Full-Well Capacity	28ke- (12-bit Gain 0) 16.5ke- (12-bit Gain 2) 120ke- (binned)
Dynamic Range	68.8dB (12-bit Gain 2)
Frame Rate	450fps@8bit (CXP12 x 8); 300fps@10bit; 250fps@12bit; 225fps@8bit (CXP12 x 4)
Readout Noise	3.5e-@12bit
Shutter Type	Global
Exposure Time	4µs~10s
DSNU	2.0e-
PRNU	0.12%
Cooling Method	Air & Liquid
Max. Cooling Temperature	30°C below ambient
Dark Current	0.02e- /pixel/s@-10°C chip temperature
Binning	2x2, 4x4, 8x8
ROI	Support
Trigger Mode	Hardware & Software
Output Trigger Signals	Exposure start, Readout end
Trigger Interface	HIROSE
Data Interface	CXP12 (x4/x8)
Data Bit Depth	8bit/10bit/12bit
Optical Interface	M52/F-Mount/user Customization
Power Supply	DC 24V/6A
Power Consumption	≤120W
Dimensions	95mm x 95mm x 140.5mm
Weight	1816g
Software	SamplePro
SDK	C/C++/C#
Operating System	Windows/Linux
Operating Environment	Temperature 0~40°C/Humidity 10~85%

**Tucsen Photonics Co., Ltd.**

Tel: +86-591-28055080 Email: support@tucsen.com

Add: 5# Wanwushe Smart Industrial Park, No.2 Yangqi Branch Rd,  
Gaishan Town, Cangshan Area, Fuzhou, Fujian, PRC.

www.tucsen.com