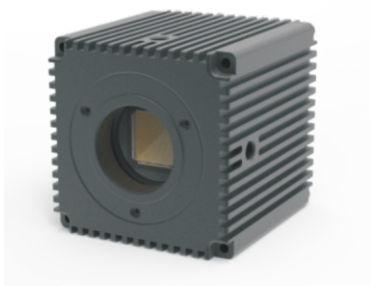


# Compact FSI sCMOS Camera

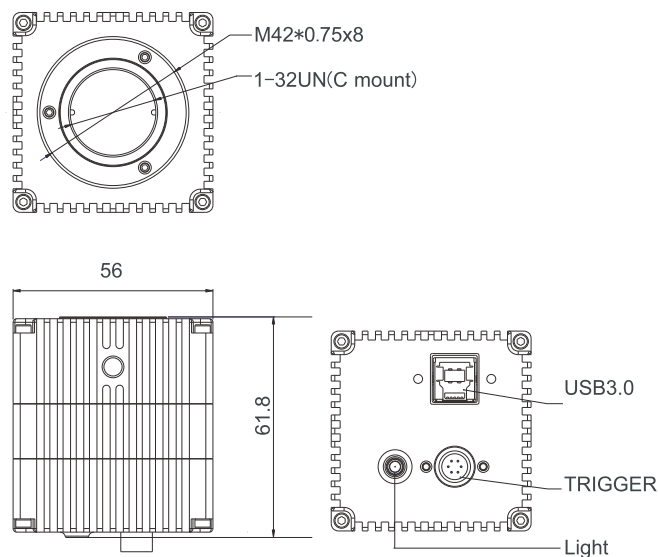
## Dhyana 201D



### Product Advantages

- 1" area
- 6.5 $\mu$ m x 6.5 $\mu$ m pixel size
- 70fps@full resolution
- 72% peak QE
- 45ke- full well capacity
- USB3.0 interface

### Product structure (unit: mm)



### Specifications

Model	Dhyana 201D
Sensor model	FSI sCMOS
Shutter type	Rolling
Color/Mono	Mono
Effective area	13.3mm x 7.462mm
Resolution	2048(H) x 1152(V)
Pixel size	6.5 $\mu$ m x 6.5 $\mu$ m
QE	72%595nm
Full-Well capacity	45ke-
Frame rate	70fps(16bit)、80fps(8bit)
Readout noise	2.1e-(Median)
Exposure time	10 $\mu$ s-10s
Binning	2x2, 4x4
ROI	Support
Trigger Mode	Hardware & Software
Output Trigger Signals	Exposure, Readout, High level, Low level
Trigger Interface	HIROSE
Data Interface	USB3.0
Data Bit Depth	16bit & 8bit
Optical Interface	M42
Power Supply	USB3.0
Power Consumption	< 4W
Dimensions	50mm x 50mm x 62mm
Weight	305g
Software	Mosaic / LabVIEW / Matlab / Micromanager / Samplepro
SDK	Support
Operating System	Windows/Linux
Operating Environment	Temperature 0~40°C / Humidity 10~85%

**Tucsen Photonics Co., Ltd.**

Tel: +86-591-28055080

Email: support@tucsen.com

Add: 5# Wanwushe Smart Industrial Park , No.2 Yangqi Branch Rd,  
Gaishan Town, Cangshan Area, Fuzhou, Fujian, PRC, China.

www.tucsen.com