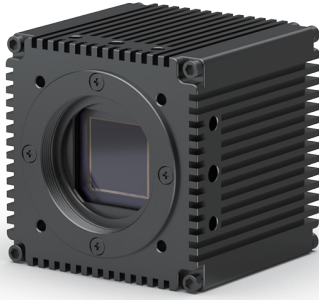


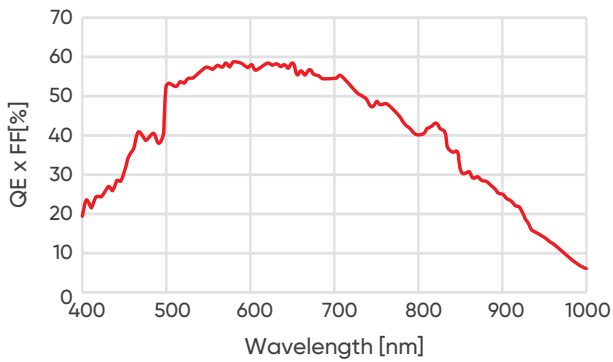
Compact sCMOS Camera

Dhyana 401A-G

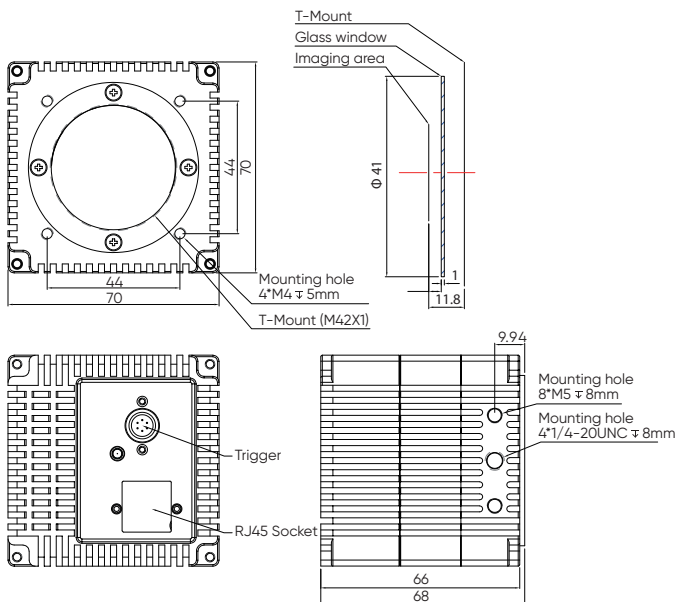


Product Advantages

- 91ke- full well capacity
- 11µm pixel size
- 31.9mm diagonal FOV
- Gige data interface
- PTP high-precision synchronization



Product Structure



Specifications

Model	Dhyana 401A-G
Sensor Type	FSI sCMOS
Sensor Model	Gpixel GSENSE400
Peak QE	58%@600nm
Color/Mono	Mono
Array Diagonal	32mm
Effective Area	22.5mm x 22.5mm
Resolution	2048 (H) x 2048 (V)
Pixel Size	11µm x 11µm
Full-Well Capacity	Typical: 91ke-
Frame Rate	20fps
Readout Noise	Typical: 1.5e-(Median)
Shutter Type	Rolling
Exposure Time	21µs ~ 1s
Binning	2x2
ROI	Support
Trigger Mode	Hardware & Software
Output Trigger Signals	Exposure start, Readout end
Trigger Interface	Hirose
Data Interface	GigE
Data Bit Depth	12bit & 16bit
Optical Interface	M42
Power Supply	12V/2A
Power Consumption	6W
Dimensions	70mm x 70mm x 68mm
Weight	540g
Software	SamplePro
SDK	Support
Operating System	Windows/Linux
Operating Environment	Temperature 0~40°C/Humidity 10~85%

Tucsen Photonics Co., Ltd.

Tel: +86-591-28055080

Email: support@tucsen.com

Add: 5# Wanwushe Smart Industrial Park, No.2 Yangqi Branch Rd,
Gaishan Town, Cangshan Area, Fuzhou, Fujian, PRC

www.tucsen.com