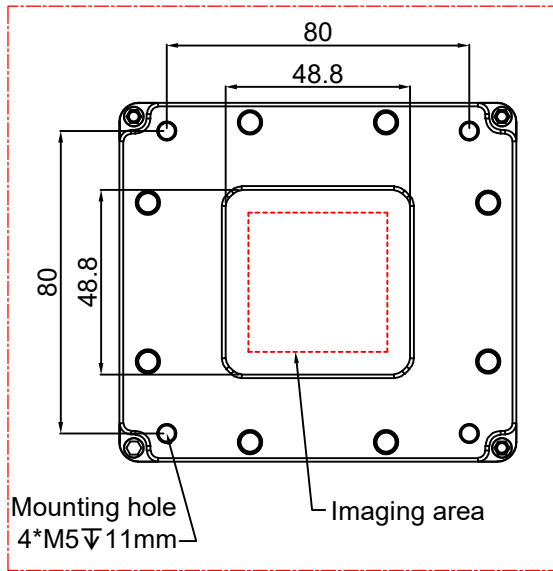
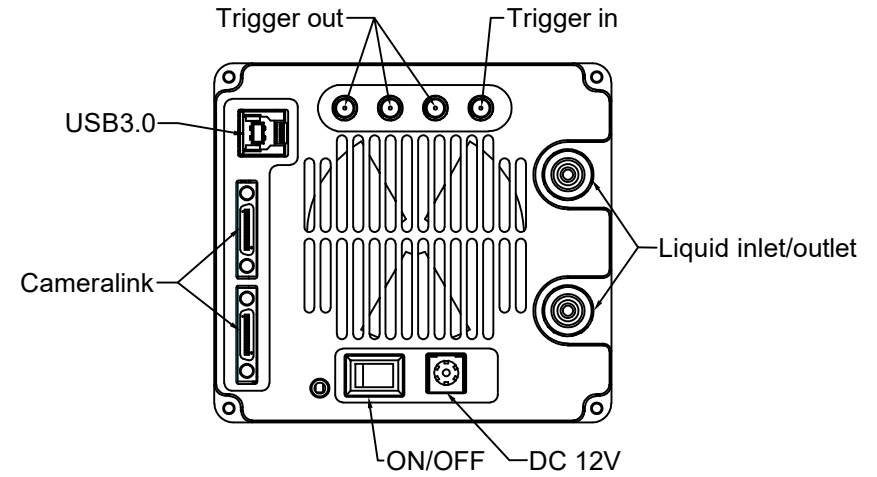
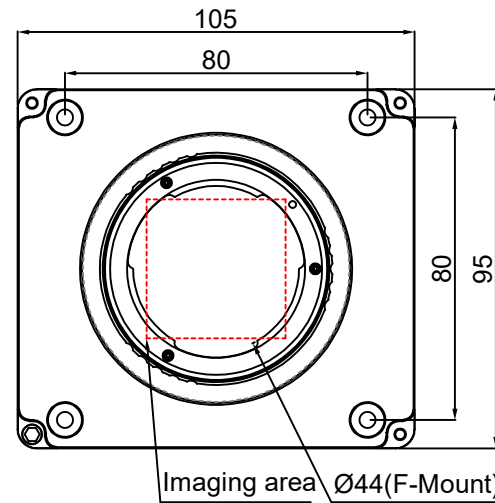


*21.58° is the incident angle for lens without F-Mount. The angle for F-Mount should be prevailed with actual lens.



The view for camera without F-mount



					TUCSEN	
					Project	DHYANA 4040 V2/BSI
Ver.	Name	Date	Updates		Note	Structure
Prop.	HS	20220111	View	Scale		Part name
Audit				1:2		Part code
Process			Page 1			Material
Approve			1 page in total			